

# 1000 BASE-T SINGLE-PORT TRANSFORMER MODULES

Military / Aerospace Grade

-  Compliant with IEEE802.3 Standards
-  350uH OCL with 8mA DC
-  Storage and Storage Temperature: -40°C to +85°C
-  Terminal Finish: Pure Tin
-  MSL: 1

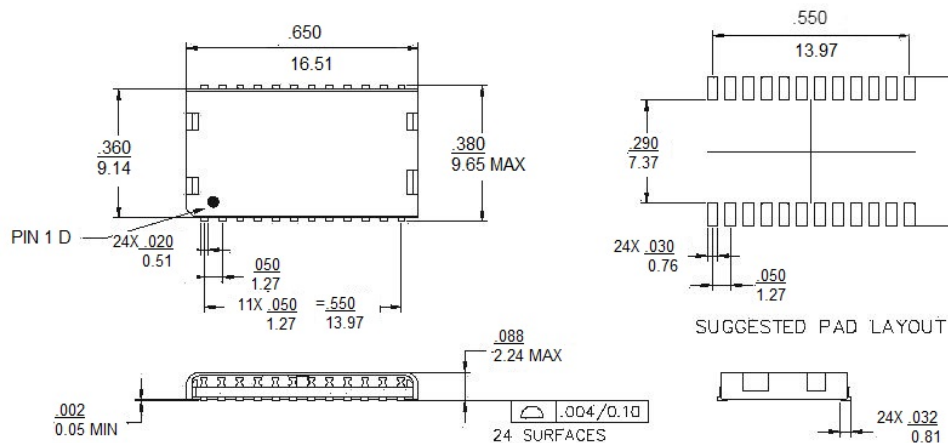
## Electrical Specifications @25°C

Part Number	Insertion Loss (dB MIN)	Return Loss (dB MAX)					Crosstalk (dB MAX)					Common Mode Rejection (dB MAX)					Hi-Pot @6s (Vrms MIN)
	0.1-100 MHz	1 MHz	40 MHz	60 MHz	80 MHz	100 MHz	1 MHz	30 MHz	60 MHz	100 MHz	1 MHz	30 MHz	60 MHz	100 MHz	125 MHz		
1000B-5032FNL	-1.2	-18	-16	-12	-10	-8	-50	-44	-37	-33	-42	-31	-25	-21	-19	1500	

Notes: Optional Tape & Reel packaging can be ordered by adding a "T" suffix to the part number (ie.1000B-5032FNLT).

## Mechanical

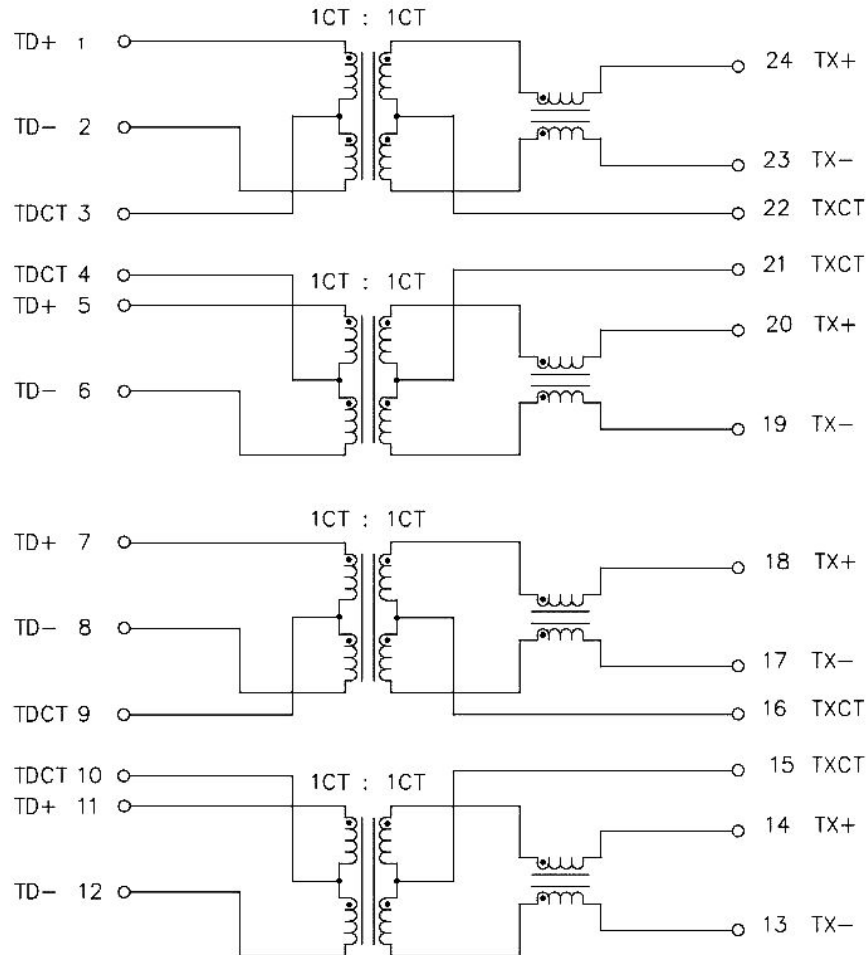
### 1000B-5032FNL



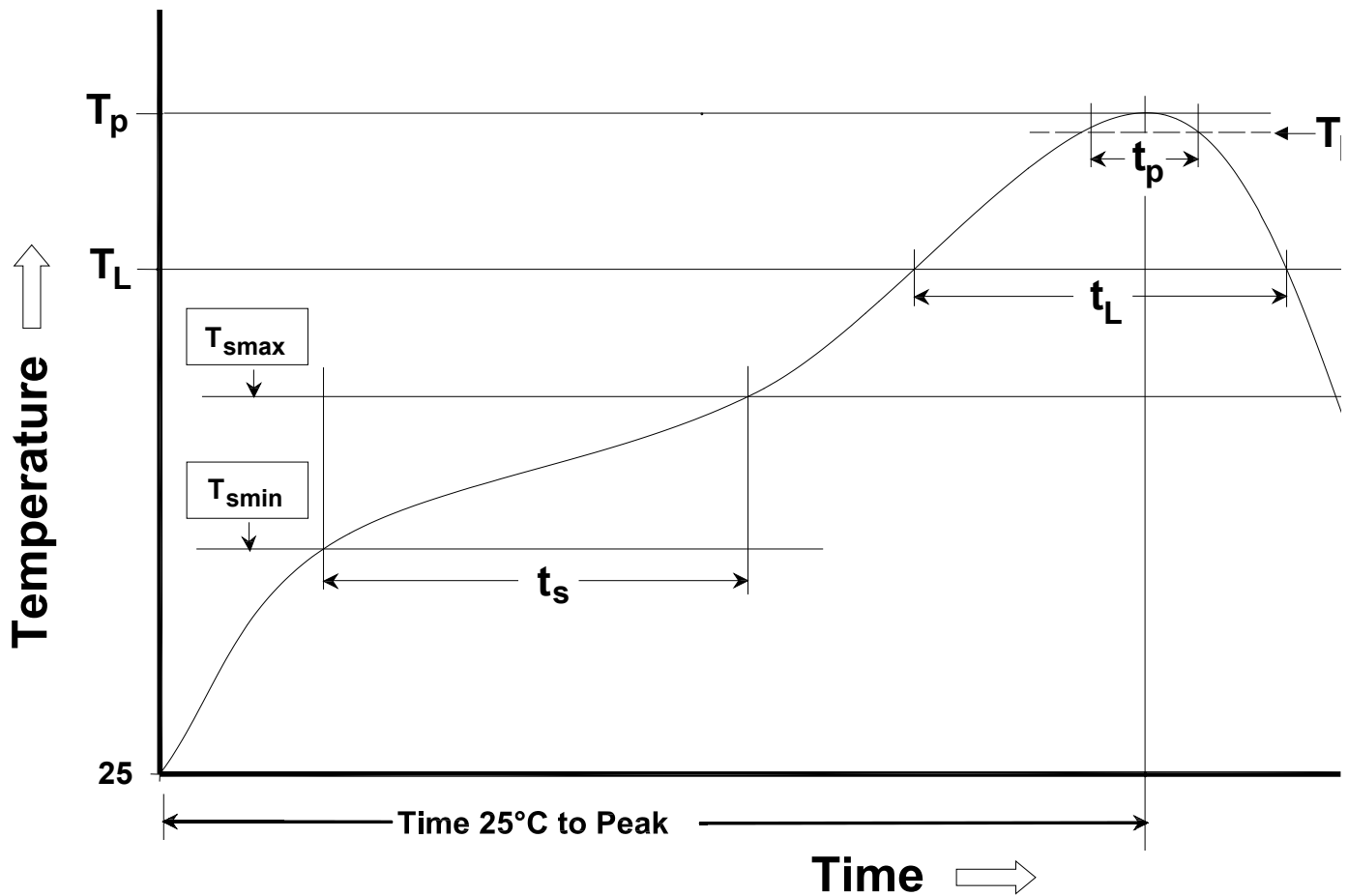
Weight..... 0.7 grams max  
 Tube.....30/Tube  
 Tape & Reel .....1000/ Reel  
 Dimensions: Inches [mm]  
 Unless otherwise specified...  
 all tolerances are 3.010 [0.25]

Schematic

1000B-5032FNL



## Recommended Reflow Profile (Based on J-STD-020D)



$T_{SMIN}$ (°C)	$T_{SMAX}$ (°C)	$T_L$ (°C)	$T_P$ (°C MAX)	$t_s$ (s)	$t_L$ (s)	$t_p$ (s MAX)	Ramp-up rate ( $T_L$ to $T_P$ )	Ramp-down rate ( $T_P$ to $T_L$ )	Time 25°C to peak temperature (s MAX)
150	200	217	245	60-120	60-150	30	3°C/s MAX	6°C/s MAX	480

**Notes:**

1. All temperatures measured on the package leads.
2. Maximum times of reflow cycle: 2.

### For More Information

**Pulse North America Headquarters**  
Two Pearl Buck Court  
Bristol, PA 19007  
U.S.A.

Tel: 215 781 6400  
Fax: 215 781 6403

**Pulse Europe**  
Einsteinstrasse 1  
D-71083 Herrenberg  
Germany

Tel: 49 7032 7806 0  
Fax: 49 7032 7806 135

**Pulse China Headquarters**  
B402, Shenzhen Academy of  
Aerospace Technology Bldg.  
10th Kejinan Road  
High-Tech Zone  
Nanshan District  
Shenzhen, PR China 518057  
Tel: 86 755 33966678  
Fax: 86 755 33966700

**Pulse North China**  
Room 2704/2705  
Super Ocean Finance Ctr.  
2067 Yan An Road West  
Shanghai 200336  
China

Tel: 86 21 62787060  
Fax: 86 2162786973

**Pulse South Asia**  
135 Joo Seng Road  
#03-02  
PM Industrial Bldg.  
Singapore 368363

Tel: 65 6287 8998  
Fax: 65 6287 8998

**Pulse North Asia**  
3F, No. 198  
Zhongyuan Road  
Zhongli City  
Taoyuan County 320  
Taiwan R. O. C.  
Tel: 886 3 4356768  
Fax: 886 3 4356823 (Pulse)  
Fax: 886 3 4356820 (FRE)

Performance warranty of products offered on this data sheet is limited to the parameters specified. Data is subject to change without notice. Other brand and product names mentioned herein may be trademarks or registered trademarks of their respective owners. © Copyright, 2018, Pulse Electronics, Inc. All rights reserved.