

1000BASE-T SINGLE PORT TRANSFORMER MODULES



- Ⓜ Compliant with IEEE 802.3 Standard
- Ⓜ 350 μ OCL with 8mA bias at extended temperatures
- Ⓜ Operating temperature: -40°C to + 85°C
- Ⓜ Storage temperature: -55°C to +125°C
- Ⓜ Lead Finish: Hot Dip Sn63/Pb37 Solder
- Ⓜ Moisture Sensitivity Level: 3, RoHS peak reflow temperature rating 235°C

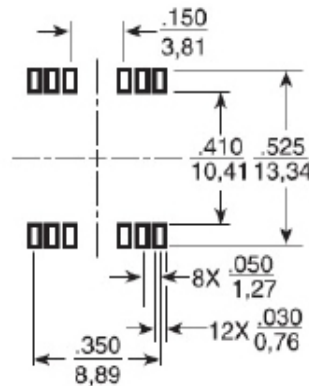
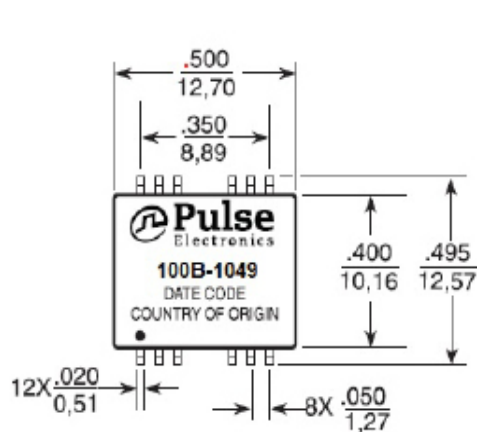
Electrical Specifications @ 25°C — Operating Temperature -40°C to + 85°C

Part Number	Turns Ratio ($\pm 5\%$)		Insertion Loss (dB MAX)	Return Loss (dB MIN)			Differential to Common Mode Rejection (dB MIN)			Crosstalk (dB MIN)			Hipot (Vrms MIN)
	TX	wRX	100 KHz-100 MHz	30 MHz	60 MHz	80 MHz	30 MHz	50 MHz	100 MHz	30 MHz	62 MHz	100 MHz	
100B-1049	1:1	1:1	-1.0	-16	-12	-12	-42	—	-33	-45	-40	-35	1500

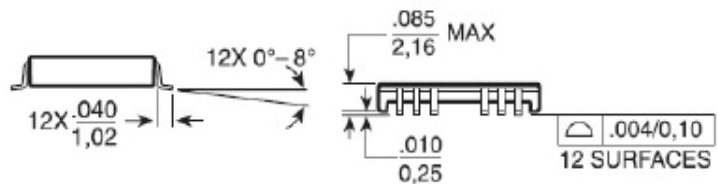
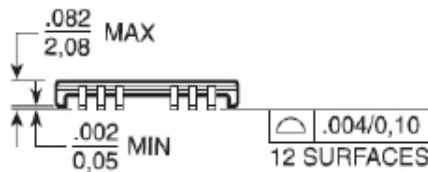
Notes: 1. Add suffix "NL" for RoHS compliant part: i.e. 100B-1049 becomes 100B-1049NL. 2. Optional Tape & Reel packaging can be ordered by adding a "T" suffix to the part number (i.e. 100B-1049 becomes 100B-1049T)

Mechanical

100B-1049/NL



SUGGESTED LAND PATTERN



Weight0.3 grams
 Tape & Reel500/Reel
 Tube40/Tube

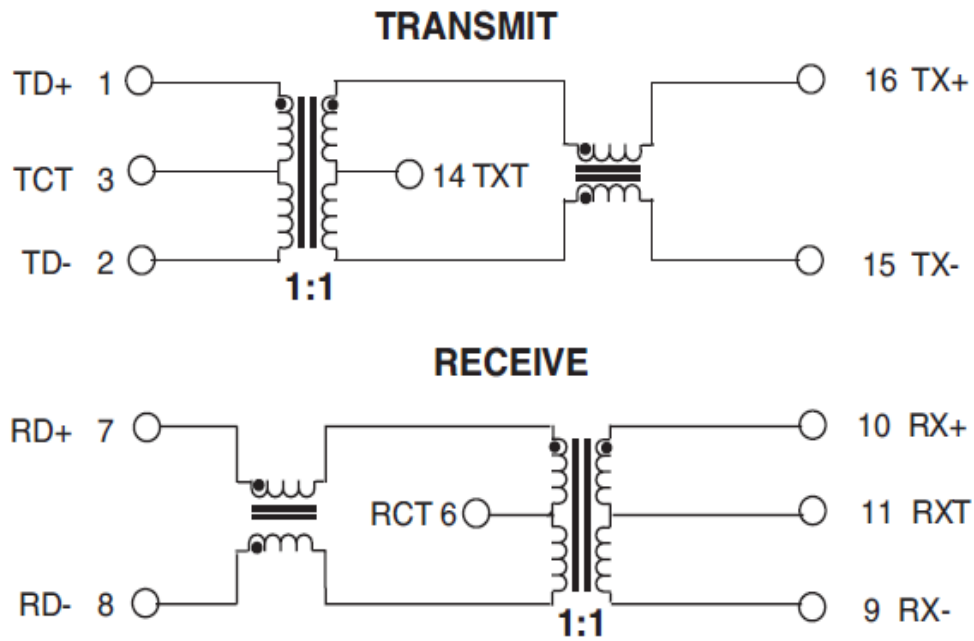
Dimensions: $\frac{\text{Inches}}{\text{mm}}$ Unless otherwise specified, all tolerances are $\pm \frac{.010}{0,25}$

10/100 PC Card LAN Magnetic Modules

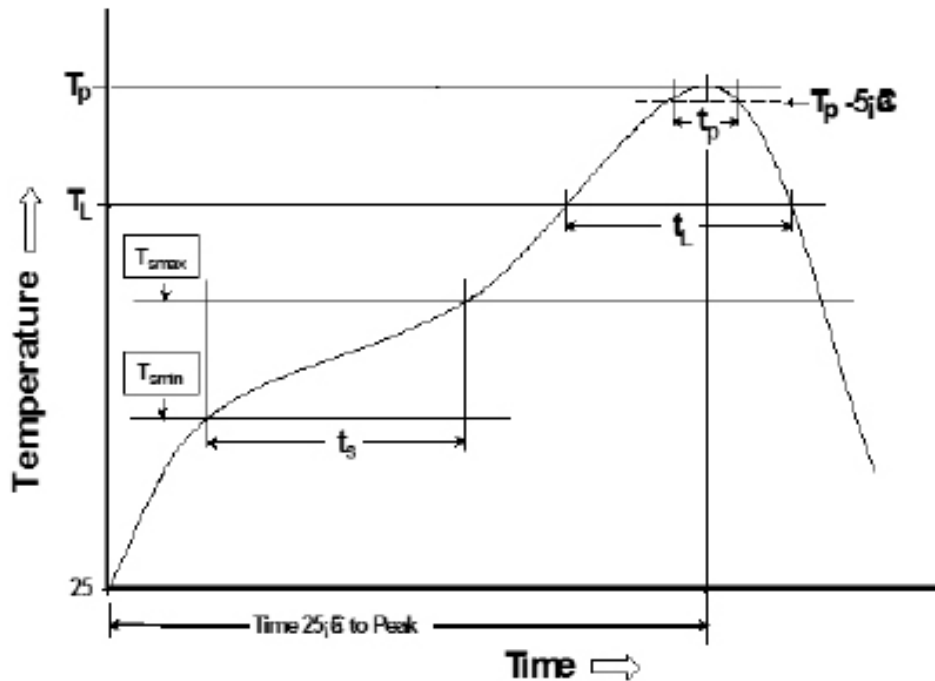
Ruggedized

100B-1049/NL

Schematic



Tin/Lead Recommended Reflow Profile (Based on J-STD-020D)



T_{SMIN} (°C)	T_{SMAX} (°C)	T_L (°C)	T_P (°C MAX)	t_s (s)	t_L (s)	t_p (s MAX)	Ramp-up rate (T_L to T_P)	Ramp-down rate (T_P to T_L)	Time 25°C to peak temperature (s MAX)
100	150	183	235	60-120	60-150	20	3°C/s MAX	6°C/s MAX	360

Notes:

1. All temperatures measured on the package leads.
2. Maximum times of reflow cycle: 2.

For More Information

PulseR North America
Headquarters

Two Pearl Buck Court
Bristol, PA 19007
U.S.A.

Tel: +1.215.781.6400
Fax: +1.215.781.6403

For Global Sales Representatives and Locations Visit:

<http://www.pulseruggedized.com>

Performance warranty of products offered on this data sheet is limited to the parameters specified. Data is subject to change without notice. Other brand and product names mentioned herein may be trademarks or registered trademarks of their respective owners. © Copyright, 2018. PulseR, LLC. All rights reserved.