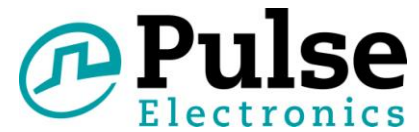


# Continuous/Discontinuous Flyback Transformer

Multiple Output Transformer



- Frequency Range: 80 kHz to 250 kHz
- Isolation (Secondary to Primary): 5100 VDC
- Height: 1.36 Inch MAX
- Class F Insulation
- Dual Primary Interleave for lower Leakage Inductance

## Electrical Specifications @ 25°C - Operating Temperature -40°C to +155°C

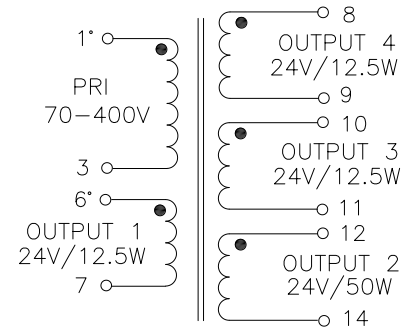
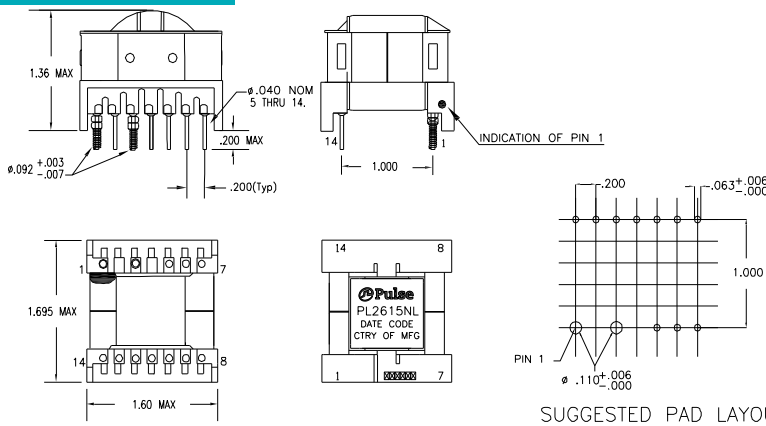
Part Number	Primary Inductance (uH)	Primary Leakage Inductance (uH MAX)	Turns Ratio ( Test on Ungapped core)						DCR (mΩ MAX)			Hi-Pot (VDC 6S)		
	(1-3) (-40°C to +125°C)	(1-3)	(1-3) (6-7)	(1-3) (8-9)	(1-3) (10-11)	(1-3) (12-14)	(6-7) (8-9)	(6-7) (10-11)	(6-7) (12-14)	(1-3)	(6-7) (8-9) (10-11)	(12-14)	See note 4	See Note 5
PL2615NL	167 - 203	3.00	7.5	7.5	7.5	7.5	1.0	1.0	1.0	55.0	25.0	3.6	5100.0	2550.0

**Notes:** 1. ET max 700V-usec. Typical frequency 200 kHz. MSL 1. 2. Part is designed for temperature rise: 45°C MAX. 3. Storage temperature: -55°C to 155°C. 4. Primary to outputs 1, 2, 3 and 4; all windings to core; Output 1 to output 2, 3 and 4; 5. Output 2 to output 3 and 4; Output 3 to output 4.

### Mechanical

### Schematic

#### PL2615NL



67W MAX COMBINED TOTAL OUTPUT

Weight . . . . .87.0 grams  
 Tray . . . . . 15Pcs/tray  
 Dimensions:  $\frac{\text{Inches}}{\text{mm}}$   
 Unless otherwise specified, all tolerances are  $\pm \frac{.010}{0.25}$

Between the primary winding and output windings, between the primary windings and core, and between the output 1 winding and output 2 thru 4 windings, this part is designed to comply with spacing (creepage and clearance) and insulation requirements for reinforced insulation up to a working voltage of 400VRMS per IEC60664-1. The part is intended for equipment energized from low voltage mains with rated impulse voltage up to 4000V. Clearances are adjusted for altitude up to 3000 meters. Parts are 100% HIPOT tested in production. All insulating materials meet or exceed flammability classification UL94V-0.

## For More Information

**Pulse North America Headquarters**  
 Two Pearl Buck Court  
 Bristol, PA 19007  
 U.S.A.

**Pulse Europe**  
 Zepplinstrasse 15  
 71083 Herrenberg  
 Germany

**Pulse China Headquarters**  
 B402, Shenzhen Academy of  
 Aerospace Technology Bldg.  
 10th Kejian Road  
 High-Tech Zone  
 Nanshan District  
 Shenzhen, PR China 518057

**Pulse North China**  
 Room 2704/2705  
 Super Ocean Finance Ctr.  
 2067 Yan An Road West  
 Shanghai 200336  
 China

**Pulse South China**  
 135 Joo Seng Road  
 #03-02  
 PM Industrial Bldg  
 Singapore 368363

**Pulse North Asia**  
 3F, No 198  
 Zhongyuan Road  
 Zhongli City  
 Taoyuan County 320  
 Taiwan R.O.C  
 Tel: 886 3 4356768

Tel: 215 781 6400  
 Fax: 215 781 6403

Tel: 49 7032 7806 0  
 Fax: 49 7032 7806 135

Tel: 86 755 33966678  
 Fax: 86 755 33966700

Tel: 86 21 62787060  
 Fax: 86 2162786973

Tel: 65 6287 8998  
 Fax: 65 6287 8998

Fax: 886 3 4356823 (Pulse)  
 Fax: 886 3 4356820 (FRE)

Performance warranty of products offered on this data sheet is limited to the parameters specified. Data is subject to change without notice. Other brand and product names mentioned herein may be trademarks or registered trademarks of their respective owners. © Copyright, 2012. Pulse Electronics, Inc. All rights reserved.