

10/100BASE-TX TRANSFORMER MODULES

Ruggedized



- R** Compliant with IEEE802.3u & X3.263 Standards
350uH OCL with 8mA DC
- R** IC grade transfer-molded package withstands 235°C peak temperature profile
- R** Operating and Storing Temperature:
100B-4009 : -40°C to +85°C
100B-4009X: -55°C to +125°C
- R** Moisture Sensitivity Level: 3

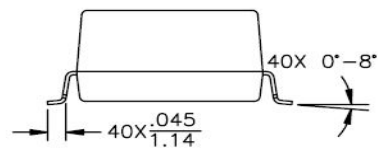
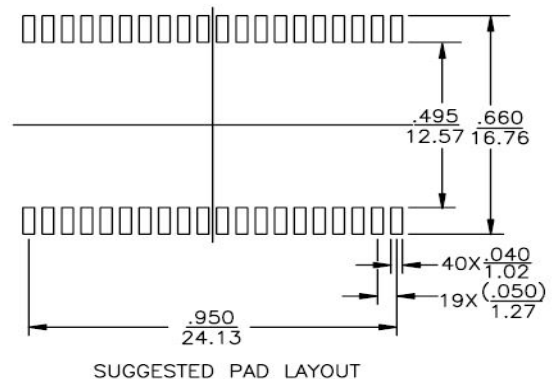
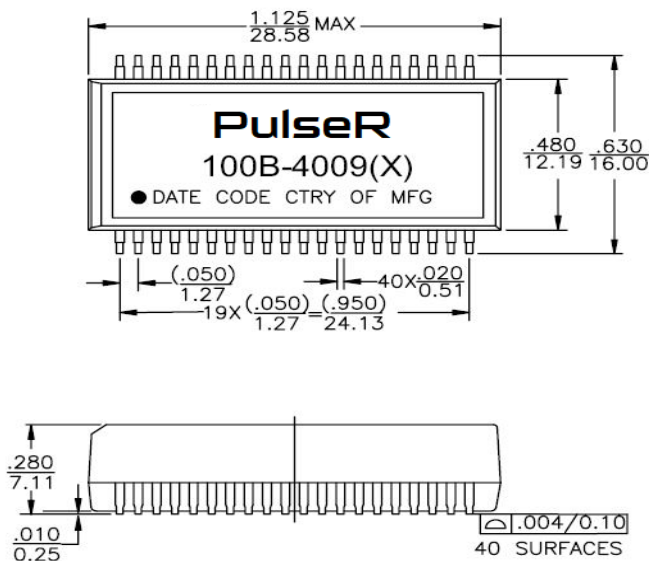
Electrical Specification @ 25°C, Operating Temperature: -40°C~+85°C

Part Number	Insertion Loss (dB MAX)	Return Loss (dB MIN)				Crosstalk (dB MIN)				Differential to Common Mode Rejection (dB MIN)		HI-POT (Vrms MIN)
		0.1-100MHz	2-30MHz	40MHz	50MHz	60-80MHz	1MHz	30MHz	60MHz	100MHz	1-60MHz	
100B-4009	-1.4	-18	-14.4	-13.1	-12	-50	-42	-37	-32	-37	-25	1500
100B-4009X*	-1.4	-18	-14.4	-13.1	-12	-50	-42	-37	-32	-37	-25	1500

Note: 1. Add suffix NL for RoHS compliant part i.e. 100B-4009XNL 2. * Indicates Extended temperature.

Mechanical

100B-4009 & 100B-4009X



Weight 4.80 grams
 Tape and Reel250/reel
 Tube 15/tube

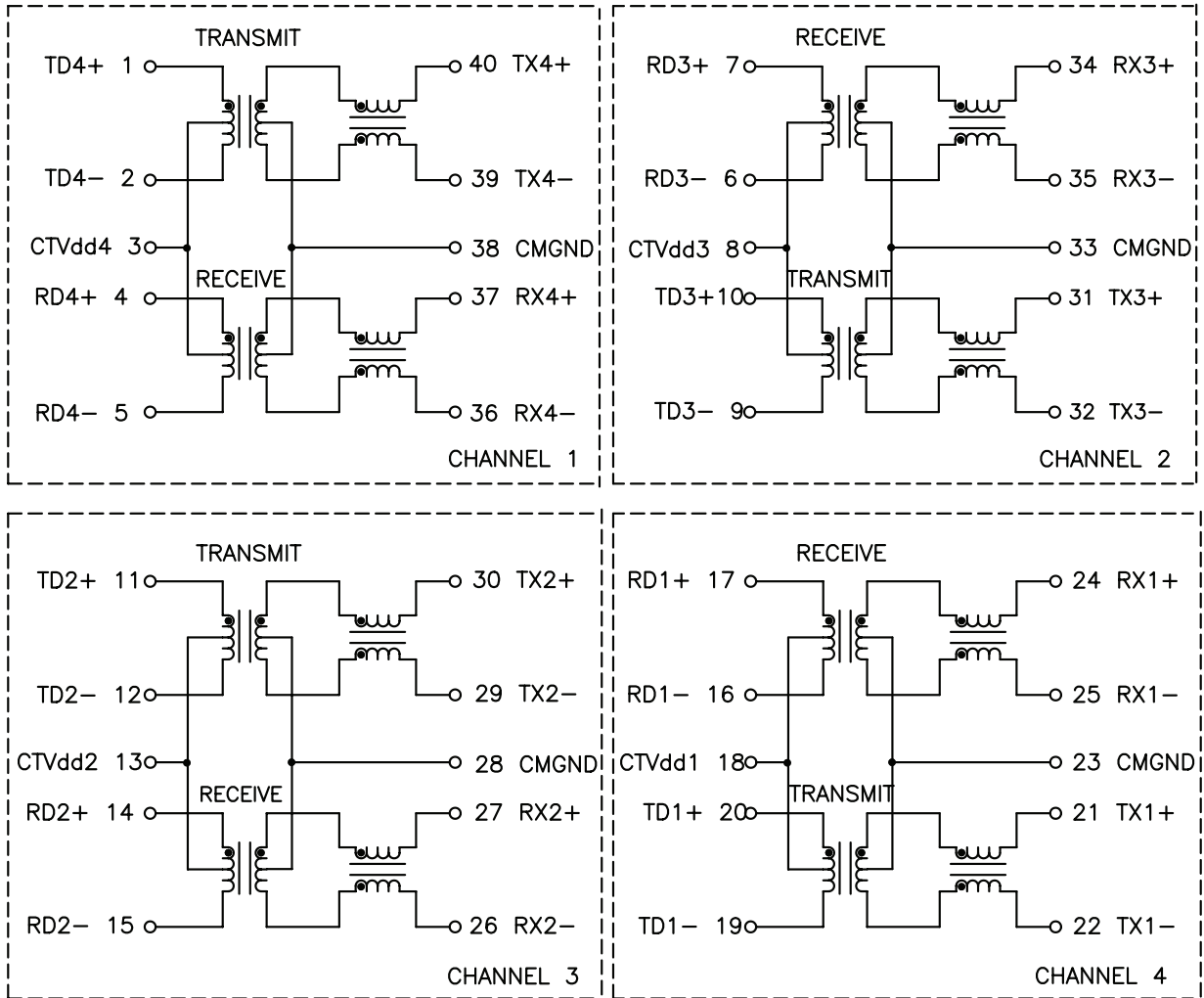
Dimensions: Inches
 mm
 Unless otherwise specified, all tolerances are 3.010
 0.25

10/100BASE-TX TRANSFORMER MODULES

Ruggedized

Schematic

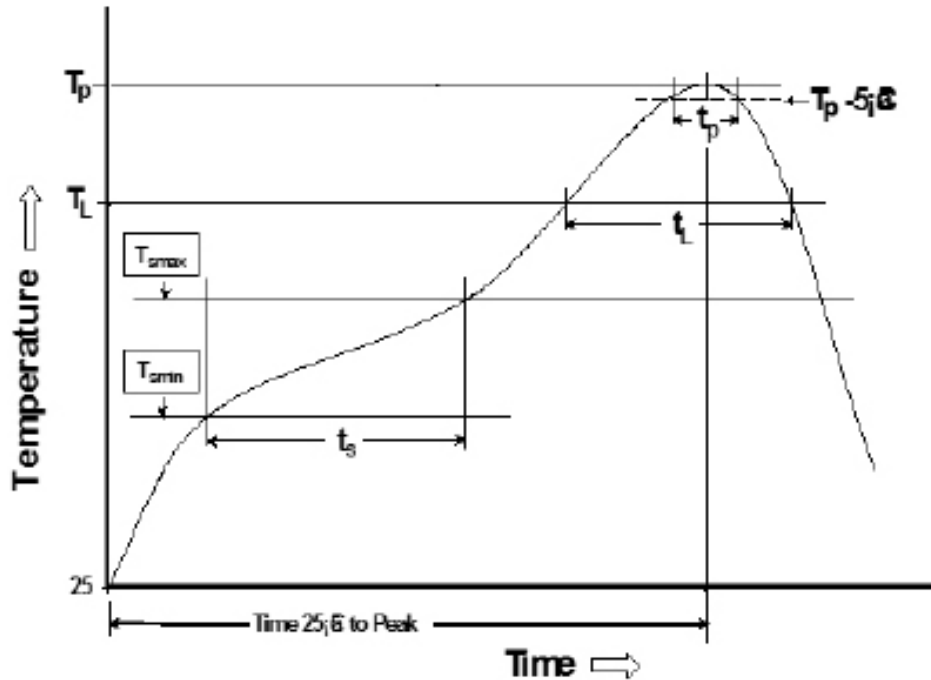
100B-4009 & 100B-4009X



10/100BASE-TX TRANSFORMER MODULES

Ruggedized

Tin/Lead Recommended Reflow Profile (Based on J-STD-020D)



$T_{S\text{MIN}}$ °C	$T_{S\text{MAX}}$ (°C)	T_L (°C)	T_P (°C MAX)	t_s (s)	t_L (s)	t_p (s MAX)	Ramp-up rate (T_L to T_P)	Ramp-down rate (T_P to T_L)	Time 25°C to peak temperature (s MAX)
100	150	183	235	60-120	60-150	20	3°C/s MAX	6°C/s MAX	360

Notes:

1. All temperatures measured on the package leads.
2. Maximum times of reflow cycle: 2.

For More Information

**PulseR North America
Headquarters**

Two Pearl Buck Court
Bristol, PA 19007
U.S.A.

For Global Sales Representatives and Locations Visit:

<http://www.pulseruggedized.com>

Tel: 215 781 6400
Fax: 215 781 6403

Performance warranty of products offered on this data sheet is limited to the parameters specified. Data is subject to change without notice. Other brand and product names mentioned herein may be trademarks or registered trademarks of their respective owners. © Copyright, 2018. PulseR. All rights reserved.