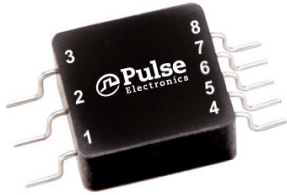


MIL-STD-1553 Dual Ratio Single Transformer - SMQ1553-72



- Single Transformer package
- Dual Ratio
- MIL-STD-1553 3.3V Applications
- Low profile – 0.250" Height
- Operating Temperature –55°C to 130°C
- Weight – ≤5.0 grams
- Storage Temperature: -55°C to +125°C
- Max Reflow Temperature: 235°C
- MSL: 3

Electrical Specifications @ 25°C — Operating Temperature -55°C to 130°C

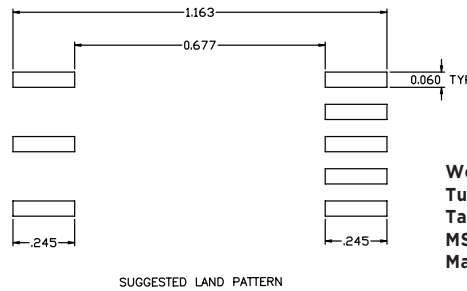
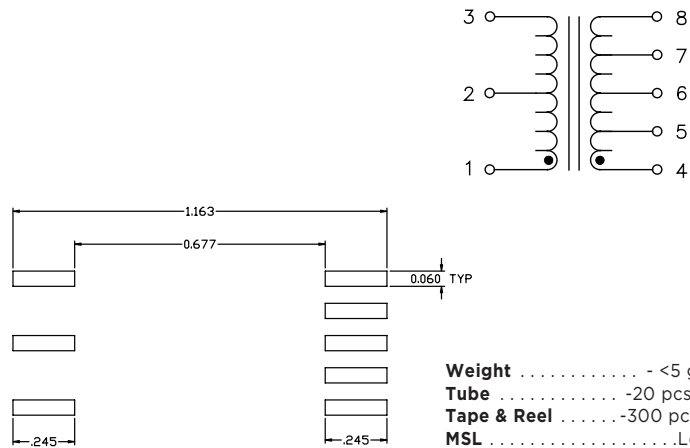
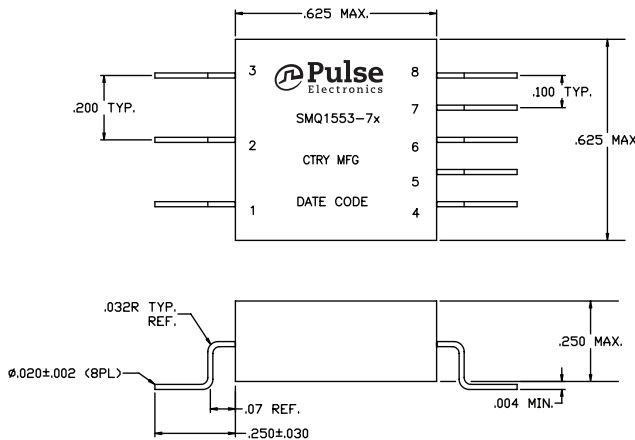
Part Number.	Terminals	Ratio (±3%)	DC Resistance Ω (MAX)	Impedance Ω (MIN)	Drop	Overshoot	CMR	Frequency Range (No Load)	IR @ 250Vdc Ω (MIN)	DWV
SMQ1553-72	1-3:4-8 1-3:5-7	1CT:1.375CT 1CT:2.70CT	(1-3) 0.3 (4-8) 3.5	(4-8) 4,000	20% (MAX)	±1V (MAX)	45dB min	75kHz to 1MHz	10K MΩ	100 Vrms

Notes:
Add suffix "T" to part number to designate Tape and Reel Packaging

Mechanicals

Schematics

SMQ-1553-72



Weight <5 grams
Tube -20 pcs/tube
Tape & Reel -300 pcs/reel
MSL Level 3
Max Reflow Temp -235°C

For More Information

Pulse Worldwide Headquarters
Two Pearl Buck Court
Bristol, PA 19007
U.S.A.

Pulse Europe
Zeppelinstrasse 15
71083 Herrenberg
Germany

Pulse China Headquarters
B402, Shenzhen Academy of
Aerospace Technology Bldg.
10th Kejian Road
High-Tech Zone
Nanshan District
Shenzhen, PR China 518057
Tel: 86 755 33966678
Fax: 86 755 33966700

Pulse North China
Room 2704/2705
Super Ocean Finance Ctr.
2067 Yan An Road West
Shanghai 200336
China

Pulse South Asia
135 Joo Seng Road
#03-02
PM Industrial Bldg.
Singapore 368363

Pulse North Asia
33F No. 198, Zhongyuan Road
Zhongli City
Taoyuan County (32068)
Taiwan

Tel: 215 781 6400
Fax: 215 781 6403

Tel: 49 7032 7806 0
Fax: 49 7032 7806 12

Tel: 86 21 62787060
Fax: 86 2162786973

Tel: 65 6287 8998
Fax: 65 6287 8998

Tel: 886 3 4356768
Fax: 886 3 4356823

Performance warranty of products offered on this data sheet is limited to the parameters specified. Data is subject to change without notice. Other brand and product names mentioned herein may be trademarks or registered trademarks of their respective owners. © Copyright, 2013. Pulse Electronics, Inc. All rights reserved.