

# HIGH FREQUENCY BALUN ADAPTOR For SMPTE-292M HDTV.

Ruggedized



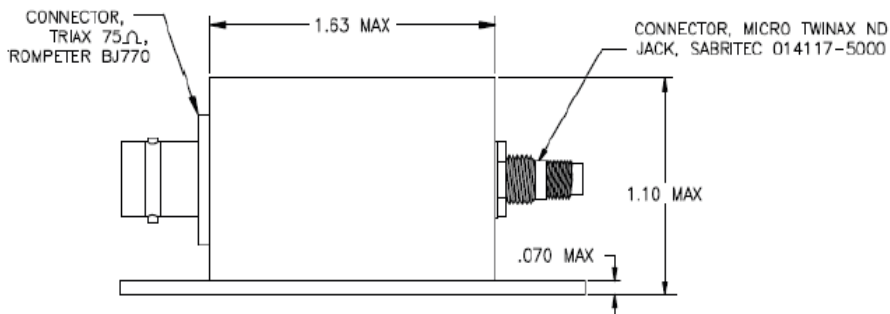
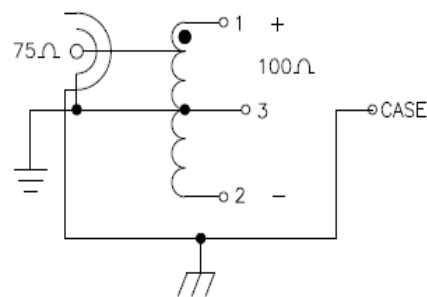
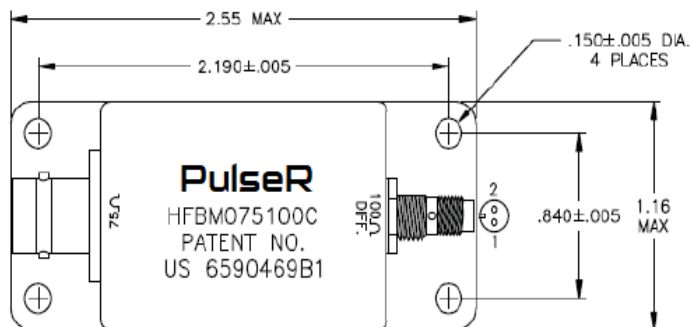
- Ⓡ Transforms 100Ω balanced differential signal to 75 Ω, Grounded unbalanced signal
- Ⓡ Designed for SMPTE-292M HDTV application at 1.485GBs data rate
- Ⓡ Operating Temperature: -55°C to +125°C
- Ⓡ Designed for flight application with Environmental, EMI and corrosion protection.
- Ⓡ Moisture Sensitivity Level: 1

## Characteristics

Part Number	Impedance Unbalanced	Impedance Balanced	Insertion Loss db MAX. 1.485 GBs	Jitter Dj pSec. Max. 1.485 GBs, PN7
HFBM075100C	75	100	-2.0	110

## Mechanical

## Schematic



Weight:..... 100g MAX

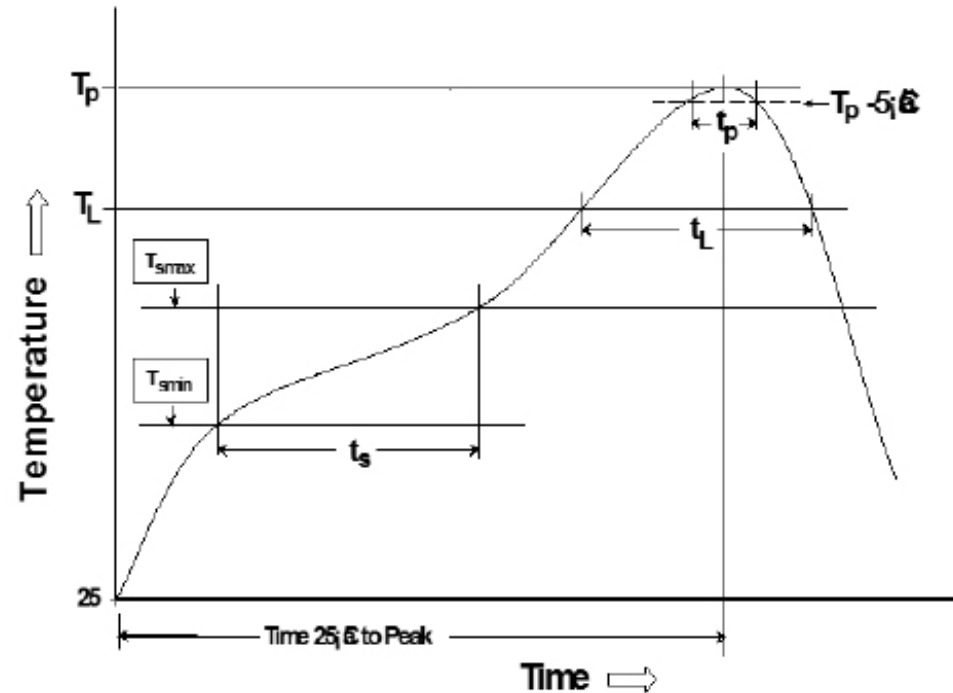
# HIGH FREQUENCY BALUN ADAPTOR

## For SMPTE-292M HDTV.

Ruggedized

**PulseR**  
Ruggedized Solutions

### Transceiver Tin/Lead Recommended Reflow Profile (Based on J-STD-020D)



$T_{SMIN}$ (°C)	$T_{SMAX}$ (°C)	$T_L$ (°C)	$T_P$ (°C MAX)	$t_s$ (s)	$t_L$ (s)	$t_p$ (s MAX)	Ramp-up rate ( $T_L$ to $T_P$ )	Ramp-down rate ( $T_P$ to $T_L$ )	Time 25°C to peak temperature (s MAX)
100	150	183	225	60-120	60-150	20	3°C/s MAX	6°C/s MAX	360

Notes:

1. All temperatures measured on the package leads.
2. Maximum times of reflow cycle: 2.

### For More Information

PulseR North America  
Headquarters  
Two Pearl Buck Court  
Bristol, PA 19007  
U.S.A.

Tel: +1.215.781.6400  
Fax: +1.215.781.6403

For Global Sales Representatives and Locations Visit:  
<http://www.pulseruggedized.com>

Performance warranty of products offered on this data sheet is limited to the parameters specified. Data is subject to change without notice. Other brand and product names mentioned herein may be trademarks or registered trademarks of their respective owners. © Copyright, 2018. PulseR, LLC. All rights reserved.