

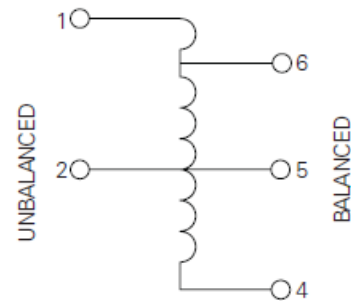
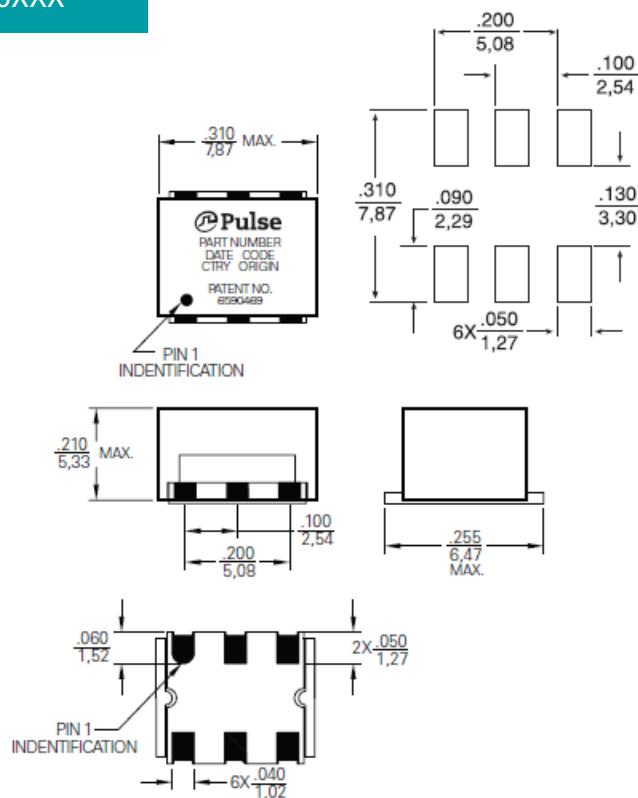
- Transforms a balanced differential signal to a 50 Ω or 75 Ω, Grounded unbalanced signal
- Wide bandwidth 1.0 MHz – 1.485 GHz
- Operating Temperature -40°C to 85°C.
- Moisture Sensitivity Level: 3

Characteristics				
Part Number	Impedance Unbalanced	Impedance Balanced	Insertion Loss (dB MAX) 1.0 MHz - 1.485 GHz	Return Loss (dB MIN) 1.0 MHz - 1.485 GHz
T-050150	50	150	-2	12 dB
T-050100	50	100	-2	12 dB
T-050078	50	78	-2	12 dB
T-075100	75	100	-2	12 dB

Mechanical

Schematic

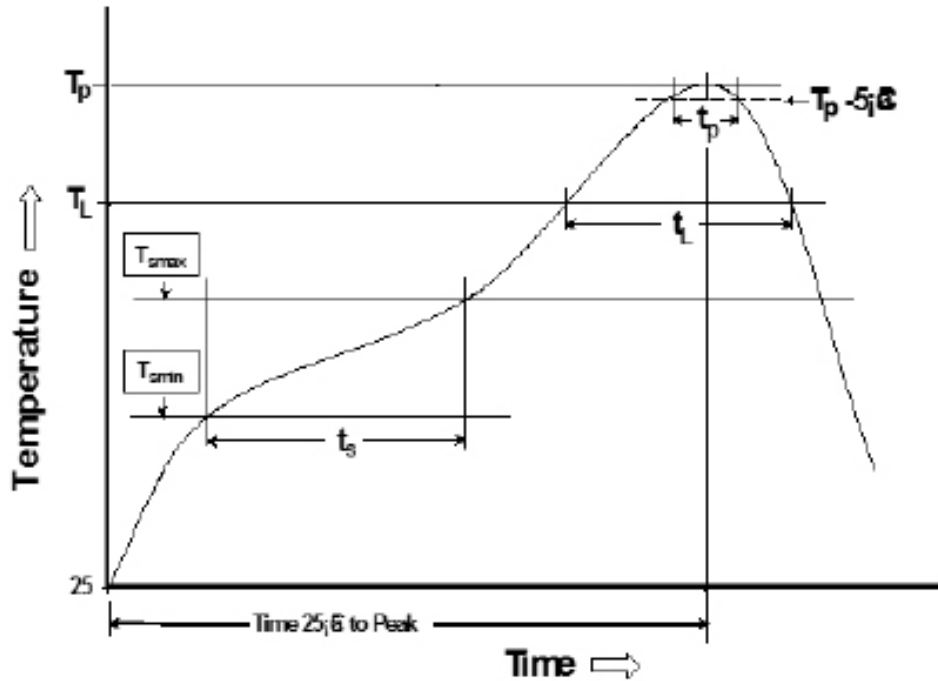
T-050XXX



Notes:

1. Weight..... 0.8gm
2. Pan/Tube Size= 65

Tin/Lead Recommended Reflow Profile (Based on J-STD-020D)



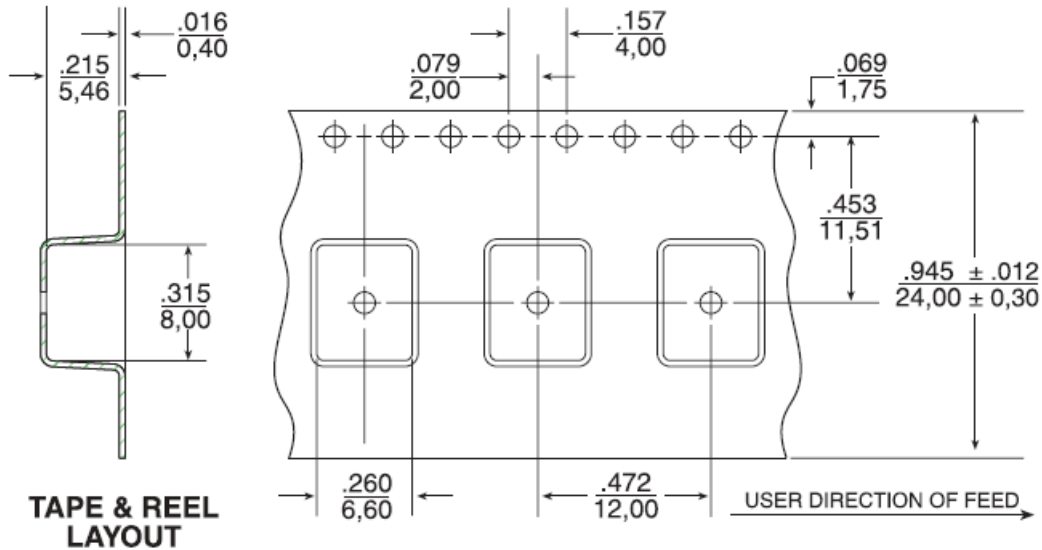
T_{SMIN} (°C)	T_{SMAX} (°C)	T_L (°C)	T_P (°C MAX)	t_s (s)	t_L (s)	t_p (s MAX)	Ramp-up rate (T_L to T_P)	Ramp-down rate (T_P to T_L)	Time 25°C to peak temperature (s MAX)
100	150	183	235	60-120	60-150	20	3°C/s MAX	6°C/s MAX	360

Notes:

1. All temperatures measured on the package leads.
2. Maximum times of reflow cycle: 2.

Tape & Reel Specifications

T-050XXX1



For More Information

Pulse North America
Headquarters
Two Pearl Buck Court
Bristol, PA 19007
U.S.A.

For Global Sales Representatives and Locations Visit:
<http://www.pulseruggedized.com>

Tel: +1. 215. 781. 6400
Fax: +1. 215. 781. 6403

Performance warranty of products offered on this data sheet is limited to the parameters specified. Data is subject to change without notice. Other brand and product names mentioned herein may be trademarks or registered trademarks of their respective owners. © Copyright, 2018. PulseR, LLC. All rights reserved.