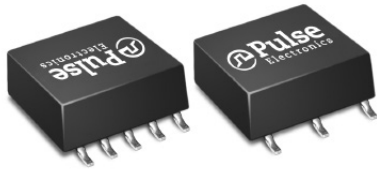


SMT SINGLE TRANSFORMER

FOR MIL-STD-1553 APPLICATIONS.

Ruggedized



- Single transformer package
- Low Profile: 0.185" height
- Storage Temperature: -55°C to +130°C
- Weight: ≤3.0 grams
- Max Reflow Temperature: 235°C
- Moisture Sensitivity Level: 3

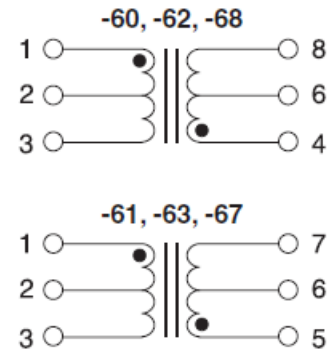
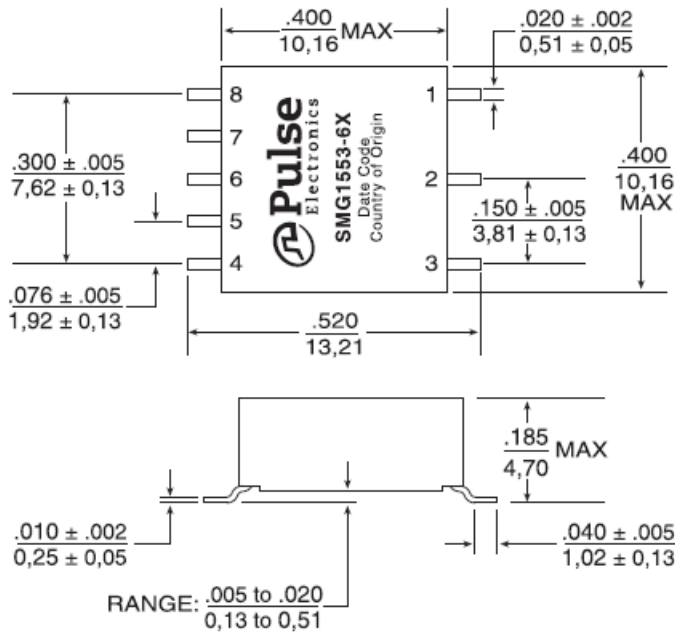
Electrical Specifications — Operating Temperature -55°C to +130°C

Part Number	Terminals	Ratio (±3%)	DC Resistance (W MAX)	Impedance (W MIN)	Droop (MAX)	Overshoot (MAX)	CMR (dB MIN)	Frequency Range (No Load)	IR @ 250Vdc (MW MIN)	DWV (Vrms)
SMG1553-60	1-3:4-8	1.25CT:1CT	(1-3) 2.4, (4-8) 2.2	(1-3) 4,000	20%	±1V	45	75kHz-1MHz	10k	100
SMG1553-61	1-3:5-7	1.66CT:1CT	(1-3) 2.4, (4-8) 1.5	(1-3) 4,000	20%	±1V	45	75kHz-1MHz	10k	100
SMG1553-65	1-3:4-8	1CT:2.5CT	(1-3) 1.0, (4-8) 2.6	(4-8) 4,000	20%	±1V	45	75kHz-1MHz	10k	100
SMG1553-66	1-3:5-7	1CT:1.79CT	(1-3) 1.3, (5-7) 2.6	(5-7) 4,000	20%	±1V	45	75kHz-1MHz	10k	100
SMG1553-67	1-3:5-7	1CT:2.70CT	(1-3) .50, (5-7) 2.50	(5-7) 4,000	20%	±1V	45	75kHz-1MHz	10k	100
SMG1553-68	1-3:4-8	1CT:3.75CT	(1-3) .40, (4-8) 2.50	(4-8) 4,000	20%	±1V	45	75kHz-1MHz	10k	100

Mechanical

Schematic

SMG1553-6X



Weight 3 grams
 Tube 50/tube

Dimensions: Inches
 mm

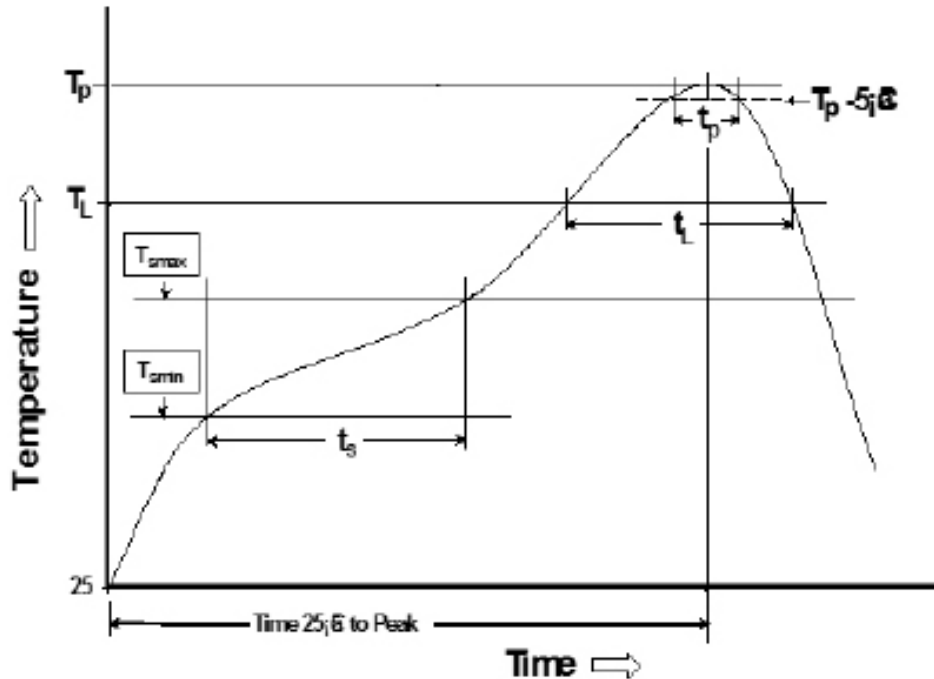
Unless otherwise specified, all tolerances are ± .010
 0,25

SMT SINGLE TRANSFORMER

FOR MIL-STD-1553 APPLICATIONS.

Ruggedized

Tin/Lead Recommended Reflow Profile (Based on J-STD-020D)



T_{SMIN} (°C)	T_{SMAX} (°C)	T_L (°C)	T_P (°C MAX)	t_s (s)	t_L (s)	t_p (s MAX)	Ramp-up rate (T_L to T_P)	Ramp-down rate (T_P to T_L)	Time 25°C to peak temperature (s MAX)
100	150	183	235	60-120	60-150	20	3°C/s MAX	6°C/s MAX	360

Notes:

1. All temperatures measured on the package leads.
2. Maximum times of reflow cycle: 2.

For More Information

Pulse North America
Headquarters
Two Pearl Buck Court
Bristol, PA 19007
U.S.A.

For Global Sales Representatives and Locations Visit:
<http://www.pulseruggedized.com>

Tel: +1. 215. 781. 6400
Fax: +1.215. 781. 6403

Performance warranty of products offered on this data sheet is limited to the parameters specified. Data is subject to change without notice. Other brand and product names mentioned herein may be trademarks or registered trademarks of their respective owners. © Copyright, 2018. PulseR, LLC. All rights reserved.